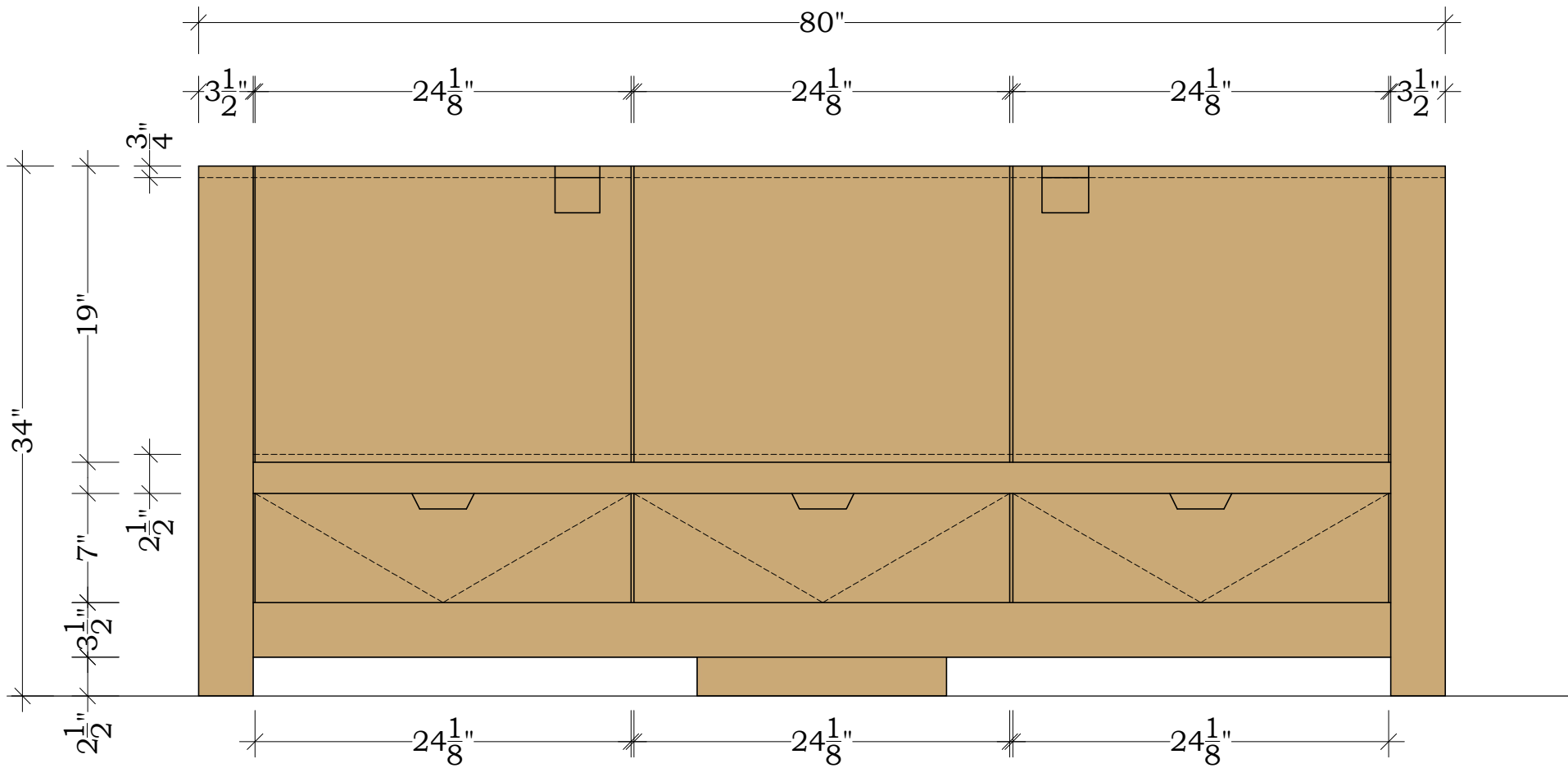
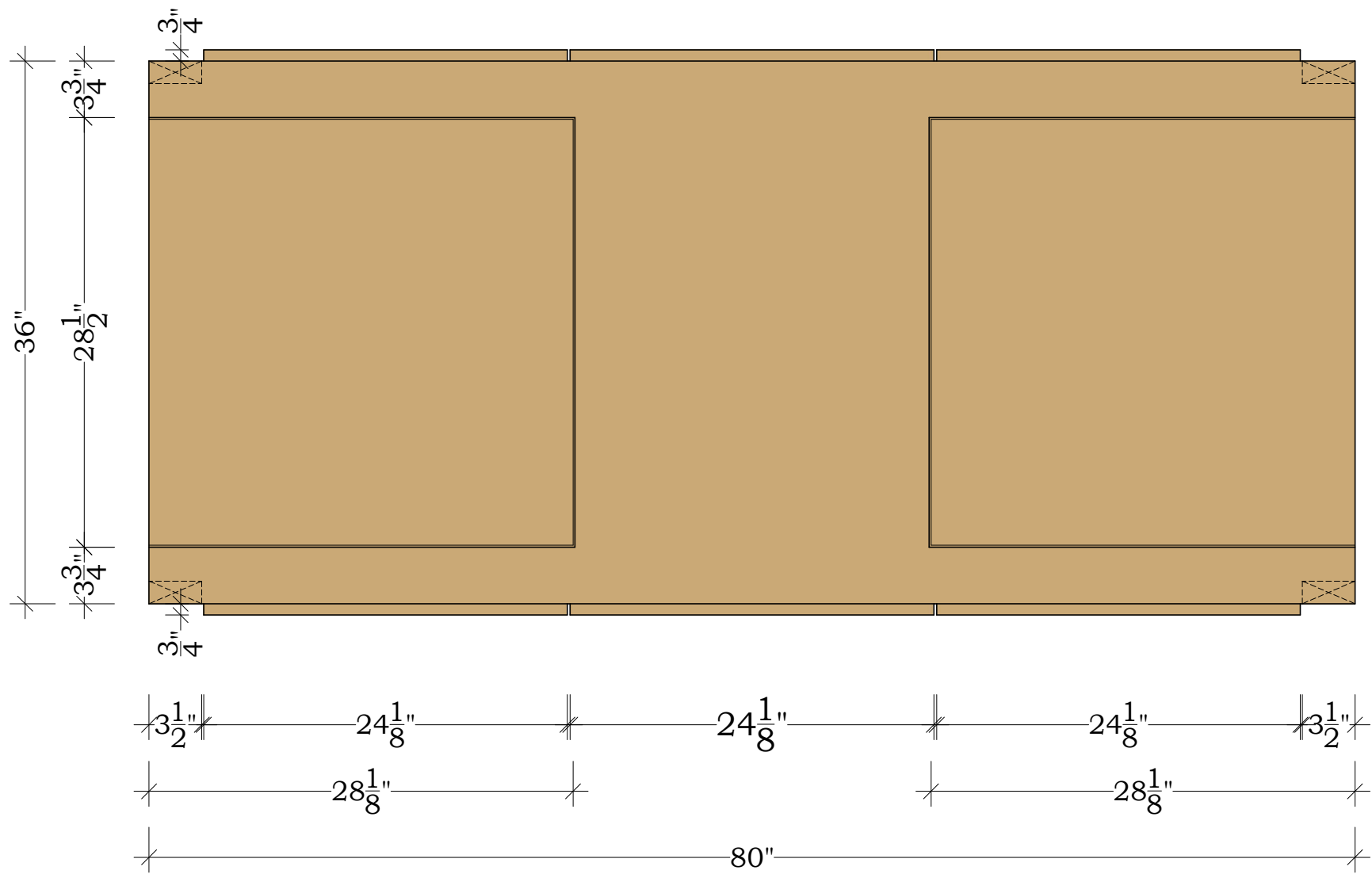


## Hidden Tool Storage Workbench

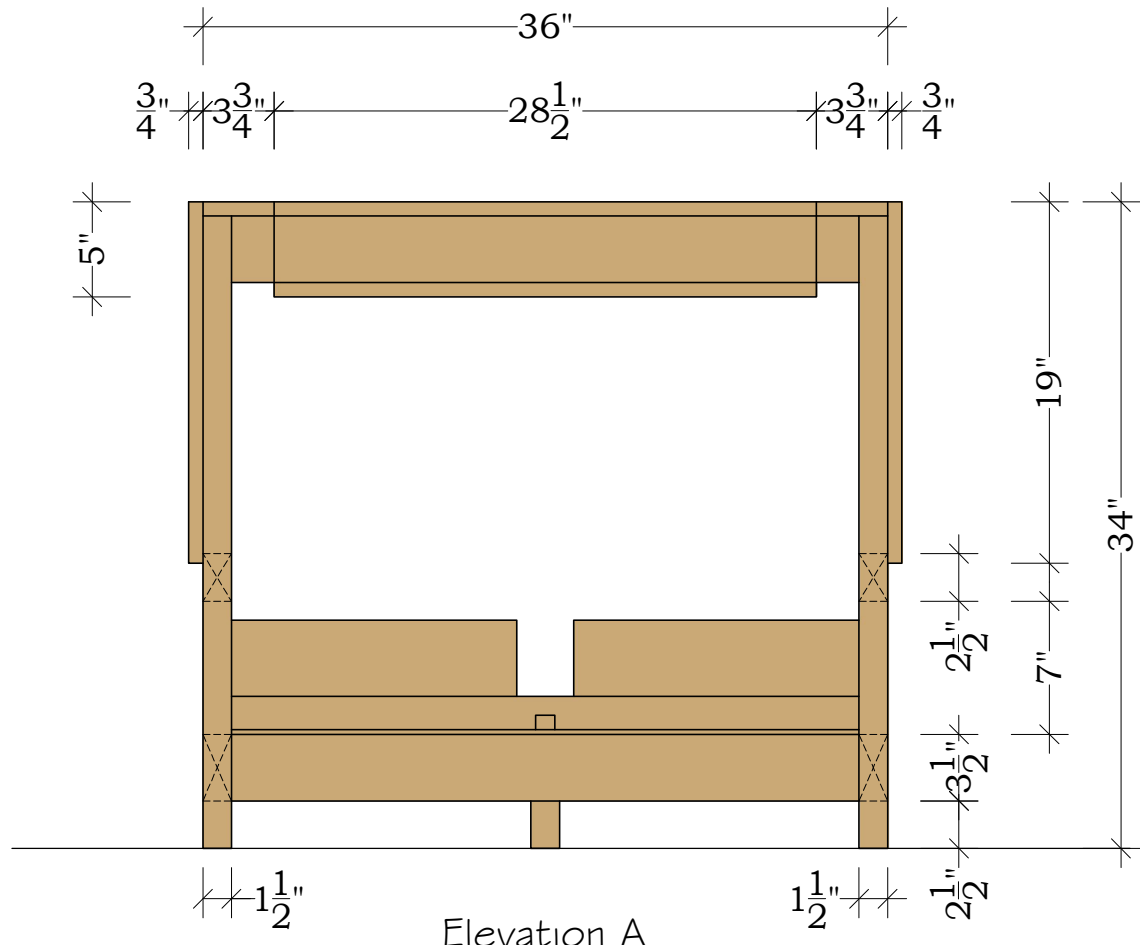




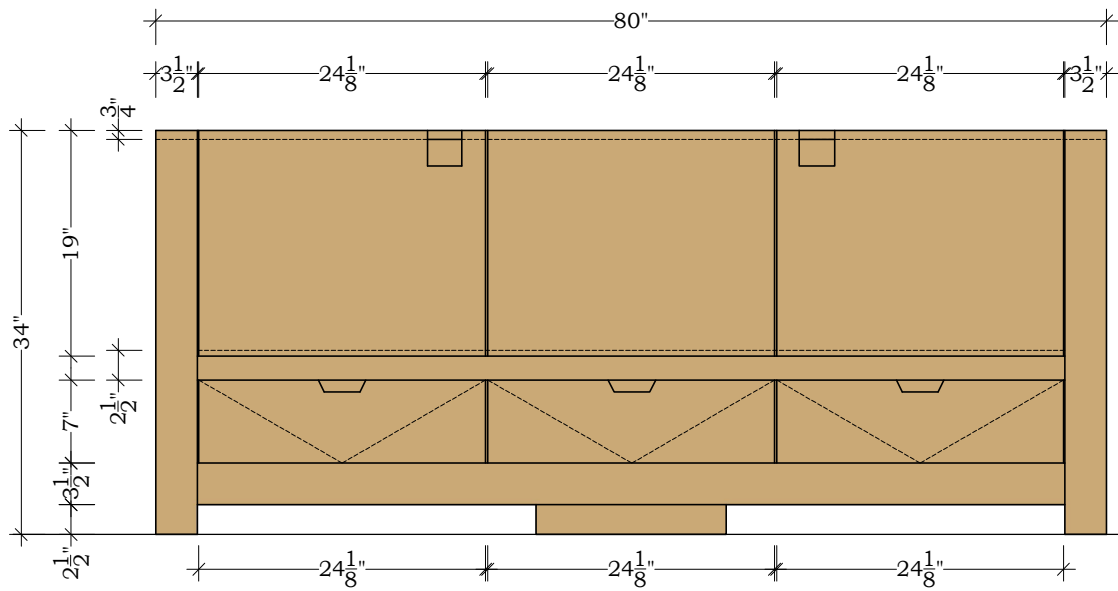
Front Elevation



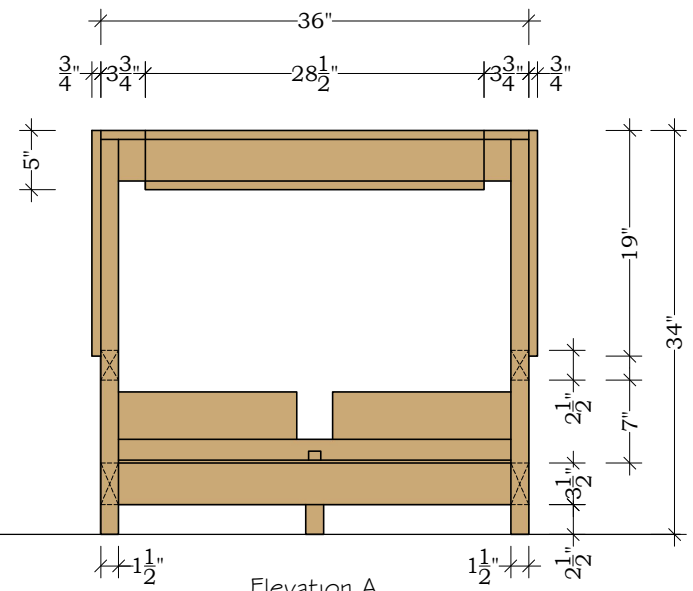
Plan



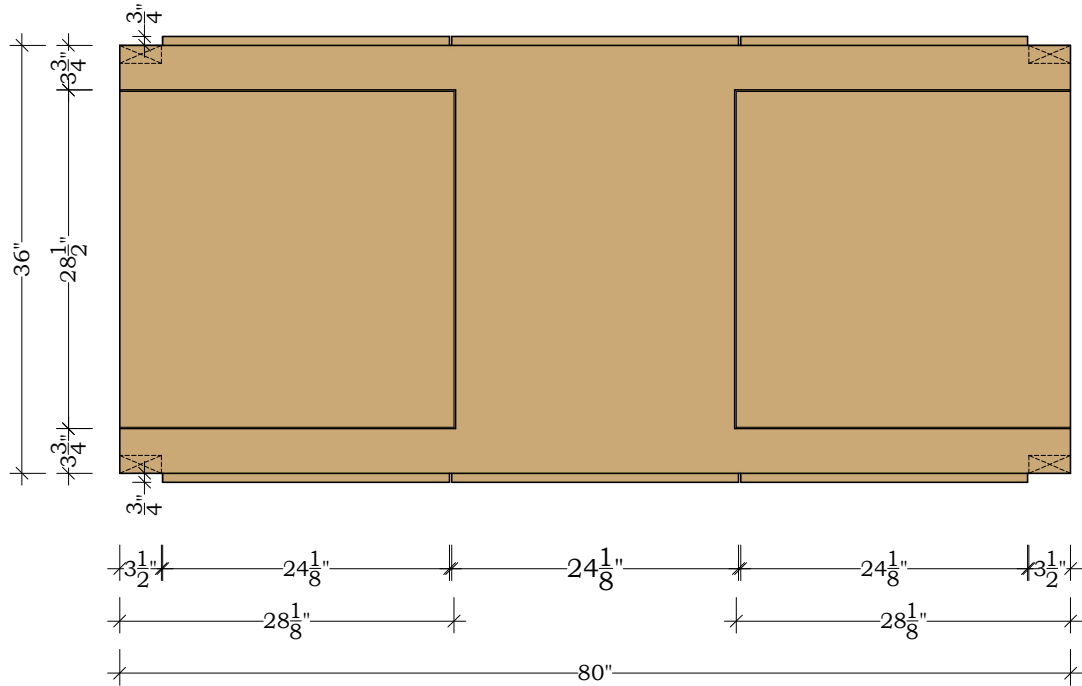
Elevation A



Front Elevation



Elevation A



Plan



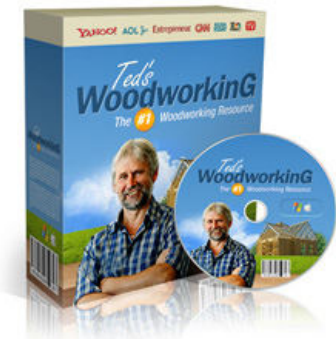
\* Reference Image for the Hidden Tool Storage Workbench

# If You Enjoyed This Plan, You'll LOVE The Full Plan At TedsWoodworking

Want to get the [FULL complete plan](#) to this project?

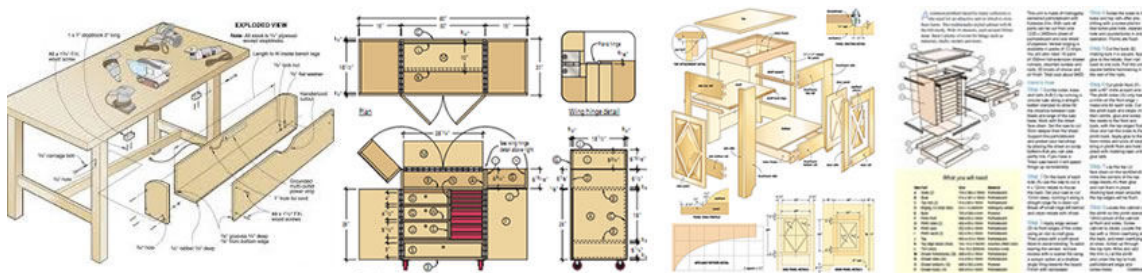
You'll get:

- All-Inclusive Blueprints & Plans
- **Step-By-Step Photos Detailing Every Step Along The Way**
- Illustrated Drawings and Sketches
- Metric and Imperial Measurements
- **Complete "Easy-To-Follow" Instructions**
- Insider tips, tricks, tactics and techniques that professionals use so you can cut corners, and get the job done faster
- **16,000 More Woodworking Plans!**



[Order TedsWoodworking](#) today and get full access to all the details of this plan **PLUS 16,000 step-by-step woodworking plans.**

This package will blow your mind because it's filled with everything you need to complete any woodworking project you could ever imagine!



[Get Full Access To 16,000 Plans Now!](#)

***Get Instant Access!***